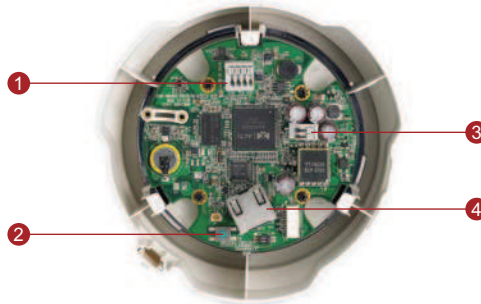


ACM-3401/ACM-3411

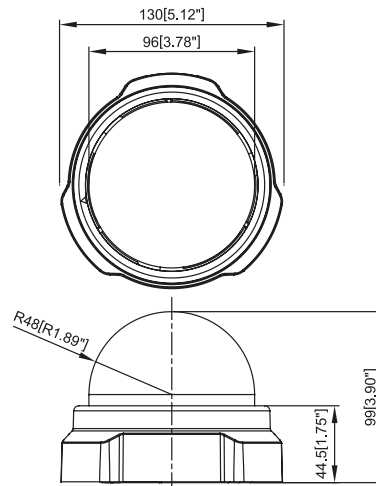


- 1/3" Micron Progressive Scan CMOS
- Day and night function with Mechanical IR Cut Filter (ACM-3411)
- Integrated f4.2mm / F1.8 Megapixel lens
- 0.5 Lux (ACM-3401) / 0.05 Lux (ACM-3411) at F1.0
- Selectable MPEG-4 / MJPEG compression
- Up to SXGA resolution at 8 FPS
- Interchangeable Lenses Available (ACM-3401)
- Multi-stream with variable frame rate in the same compression
- Two-way audio supported
- Hardware motion detection
- DC 12V or Power over Ethernet (IEEE 802.3af) supported
- Surface and wall mount supported

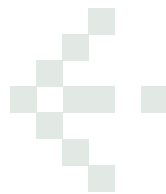


- | | |
|------------------------|----------------------|
| 1 Audio Input / Output | 3 DC 12V Power Input |
| 2 Reset Button | 4 Ethernet Port |

DIMENSION DIAGRAM



Unit: mm [inch]



ACM-3401/ACM-3411

PRODUCT SPECIFICATION

		ACM-3401	ACM-3411
Image	Device	Micron Progressive Scan CMOS	
	Size	1/3 inch	
	Effective Pixels	1280 (H) x 1024(V)	
Min. Scene Illumination	Color	0.5 Lux at F1.0 (2400 °K, 30IRE)	Color mode automatically switched to B/W mode under 4 Lux
	B/W	N/A	0.05 Lux at F1.0 (2400 °K, 30IRE)
	IR Sensitivity	N/A	from 700nm to 1100 nm
	CDS Sensor	N/A	Yes
Lens	Lens	f4.2 mm / F1.8	
	Viewing Angle	75° (Horizontal)	
Camera Angel Adjustment	X (Panning)	0° ~170°	
	Y (Tilting)	0° ~90°	
Synchronization	Sync. System	Internal	
Day/Night Functions	Mechanical IR Cut Filter	N/A	Yes
	Motion Detection	Yes (3 Windows)	
Functions	Electronic Shutter	1/5 ~ 1/15,000 sec	
	Fixed Shutter (Manual)	1/30 ~ 1/1,000 sec. (60Hz); 1/25 ~ 1/1,000 sec. (50Hz)	
	Flickerless	1/120 sec. (60Hz); 1/100 sec. (50Hz)	
	BLC	Yes	
	AGC	Automatic (User defined)	
	White Balance	AUTO, INDOOR1, INDOOR2, OUTDOOR1, OUTDOOR2, HOLD CURRENT, MANUAL	
S/N Ratio	S/N Ratio	Better than 44 dB	
Video Compression	Compression	MPEG-4 SP, MJPEG selectable	
	Picture Resolution	SXGA (1280x1024); HD720 (1280x720); VGA (640x480); QVGA (320 x 240); QQVGA (160 x112)	
	Bit Rate	28K ~ 3M bps	
Audio Input	Image Frame Rate	8 fps at SXGA; 10 fps at HD720; 30 fps at VGA; 30 fps at QVGA; 30 fps at QQVGA	
	Compression	8kHz, Mono, PCM	
Audio Output	Audio Line Input	Unbalanced, 1.4Vp-p, 1Vrms, terminal block	
	Compression	8kHz, Mono, PCM	
External I/O	Audio Line Output	Unbalanced, 1.4Vp-p, 1Vrms, terminal block	
	Reset Button	Factory default	
Casing	Mount Types	Surface / Wall (option)	
	Ethernet	Ethernet (10/100 Base-T), RJ-45 connector	
Network	Protocol	TCP, UDP, IP, HTTP, DHCP, PPPoE, RTP, RTSP,FTP,SMTP,DNS,DDNS,NTP,ICMP,IGMP,ARP	
	Web Browser	Microsoft Internet Explorer 6.0 or above	
Software	SDK	ACTi SDK-10000	
	Security	Password protection: configured by the administrator	
Operating	Temperature	-10 °C ~ 50 °C (14 °F ~ 122 °F)	
Power	Power Requirement	PoE (IEEE802.3af) with Class 3	
	Power Consumption	3.3 W (DC 12V); 4.3 W (PoE)	
Physical	Dimensions (ØxH)	130 mm x 99 mm (5.12" x 3.90")	
	Weight	350 g (0.7 lb)	
Approvals	Certificate	CE, FCC	

MODEL SELECTION

Model Name	D&N	DC 12V / PoE
ACM-3401		✓
ACM-3411	✓	✓

ACCESSORY OPTIONS

- Lens, f2.4mm F2.0, Board mount, Format 1/3" PLEN-0112 (For ACM-3401)
- Fixed Dome Cover-Smoke Cover PDCX-0101-000R0
- Wall mount kit PMAX-0300-000R0



PDCX-0101-000R0



PMAX-0300-000R0