

CCD Camera Series

Day/Night High Resolution Box Camera

SN-468C/C

Ture Day/Night High Resolution Box Camera

SN-BXC0468CDN SN-468C/W

Key Features

- 1/3" Sony Super HAD II CCD
- ICR Day&Night Function(BXC0468CDN 468C/W)
- Min.illumination: 0.008lux/F1.2
- Privacy mask(468C/W)
- White Balance,ESC,BLC Controlled by OSD or DIP Switch



SN-BXC0468CDN

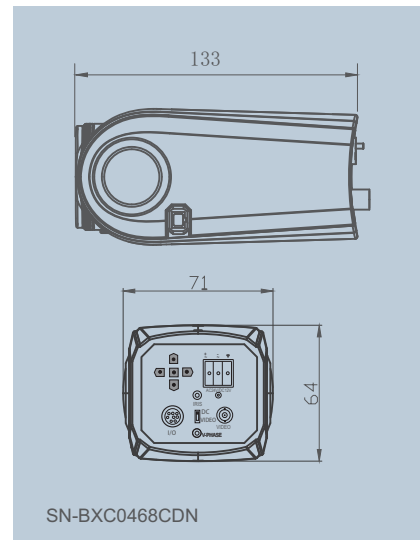


SN-468C/C SN-468C/W

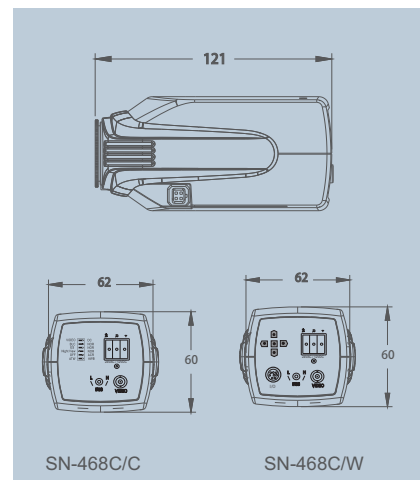
Specifications

Model	SN-468C/C	SN-BXC0468CDN	SN-468C/W
Image Sensor	1/3" SONY SUPER HAD II CCD		
Signal System	PAL / NTSC		
Effective Pixels	PAL: 752 (H)×582 (V); NTSC: 768 (H)×494 (V)		
Resolution	540 TVlines		
Min.illumination	Color: 0.1Lux/F1.2 B/W: 0.008Lux/F1.2 (0Lux with ICR)		
Day&Night	Yes	Yes, With ICR	
S/N Ratio	More than 50dB		
ES	1/50~1/100,000sec (PAL), 1/60~1/100,000sec (NTSC)		
White Balance	AWB		
Control Mode	DIP Switch	OSD	
BLC	ON/OFF		
AGC	ON/OFF		
Flickerless Function	ON/OFF		
Gamma	0.45		
Sync.mode	Internal / Line Lock		
Lens	CS/C With Ring		
Iris Control	DC/video		
Video output	1.0Vp-p, 75 Ohm		
Power Supply	AC24V/DC12V		
Power Consumption	3W (Max.)		
Operation Temperature	-10 ~+50 RH90% MAX (non-condensing)		
Dimension	121(L)×62(W)×60(H)mm(SN-468C/C, SN-468C/W) 133(L)×71(W)×64(H)mm(SN-BXC0468CDN)		
Camera Mount	Two 1/4" 20 UNC (bottom and top)		
Weight	500g		

Dimension (Unit: mm)



SN-BXC0468CDN



SN-468C/C

SN-468C/W

Order Codes

Model	SN-468C/C/10 SN-468C/W/10 SN-BXC0468CDN/10	SN-468C/C/20 SN-468C/W/20 SN-BXC0468CDN/20	SN-468C/C/50 SN-468C/W/50 SN-BXC0468CDN/50	SN-468C/C/60 SN-468C/W/60 SN-BXC0468CDN/60
Power supply	DC12V/AC24V,50Hz	DC12V/AC24V,60Hz	AC220V,50Hz	AC220V,60Hz
Signal system	PAL	NTSC	PAL	NTSC